

TECHNICAL FEATURES

Nominal Size

- 4-1/2"

Housing

- black PBTP material;
- turret style with built in rear flange lugs
- solid front, blowout back

Window

- safety glass

Dial

- aluminum material
- custom dial layout

Pointer

- aluminum material, black finished, adjustable type

Oil Cap

- blow out plug

Filling Liquid

- Standard: glycerin
- Option: no liquid filled or silicone

Connector(according to EN837-1)

- AISI 316 stainless steel
- 1/2"PT, NPT or BSP
- with screw-in restrictor;
- custom designs are available

Welding

- argon arc welding

Pressure Element

- AISI 316 stainless steel
- 30"Hg(vacuum) to 1000psi in C-form
- range > 1500psi in helical

Movement

- AISI 316 stainless steel

Pressure Range(according to EN837-1)

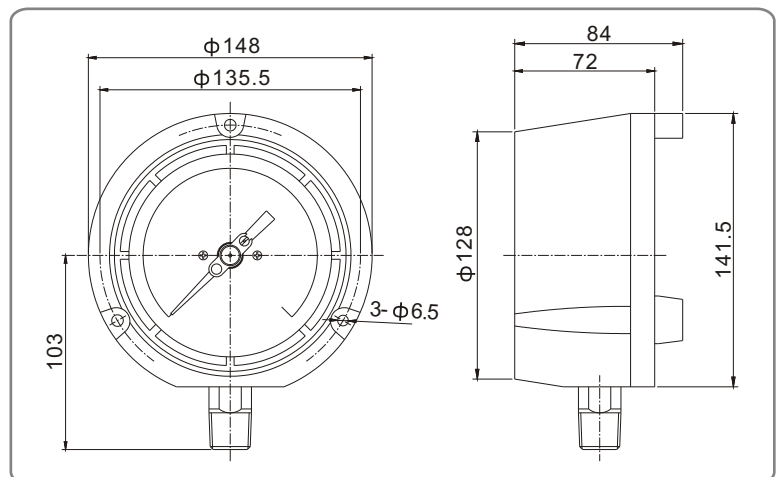
- vacuum through 15000psi(1000bar)
- compound range available

Accuracy

- +/-0.5% of full scale

Over-pressure

- 130% of full scale



ASIAGAUGE INTERNATIONAL COMPANY

China:

431-1 Zhangxin Road, Xinpu, Cixi City, Zhejiang

Tel:86 574 6357 2593

Taiwan:

9F2, no 141 Bade Road, Chaiyi City, Taiwan 60085

Tel:886 52330027

Fax:886 52330095

www.asiagauge.com

E-mail:jimh@asiagauge.com